

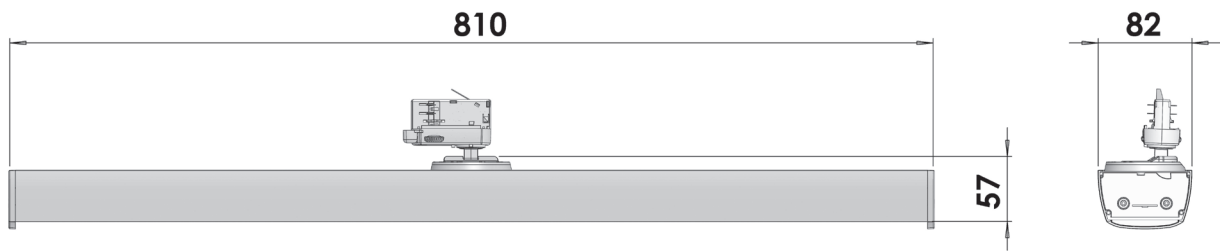
Nano



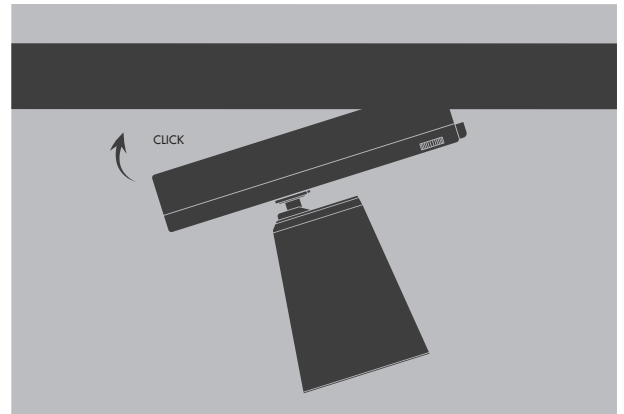
Nano

Easy to mount, short fixture but giving powerful light.
Fully orientable and rotatable.
Fitted with a double asymmetric NANO lens. Ideal for lighting merchandise and aisles in supermarkets.

Color Rendering: CRI > 80
Diffuser: Double asymmetric lens, Nano lens or opal diffuser
Color options: Black, White, Silver
Color temperature CCT: 3000K, 4000K
Cooling: Passive
Material: Powder painted die-cast aluminium
Wattage: 52 W (module)
Lifetime: 50.000 hours
Adapter: GA-69
Color consistency: -
Guarantee: 5 years (LED Chip & driver)
Installation: Nordic Aluminium 3-phase track
LED chip: Samsung
Protection: IP20
Dimmable: No

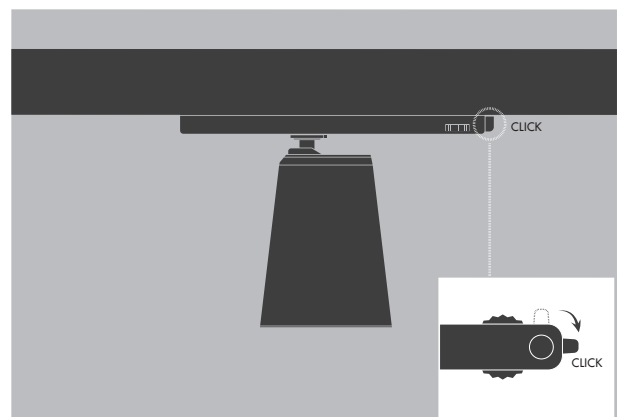


1) Insert adapter into track



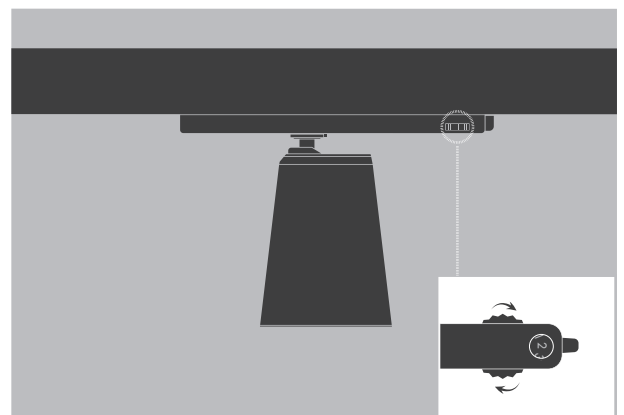
2) Turn the lock as far as it goes

Note: If lock will not move all the way this means you have inserted the spot the wrong direction. Rotate the spot 180 degrees horizontally and try again.



3) Choose phase by turning the small wheel on the side

Note: Distribute spots evenly across the 3 phases to minimize risk of overloading the system.



4) Evaluate - Is the spot adjusted correctly?

Adjustment: The light beam must be carefully directed to illuminate the products with maximum effect.

Check by blocking the light beam with a hand, and then moving the hand again to see the effect of the light and then adjust direction if necessary.

