

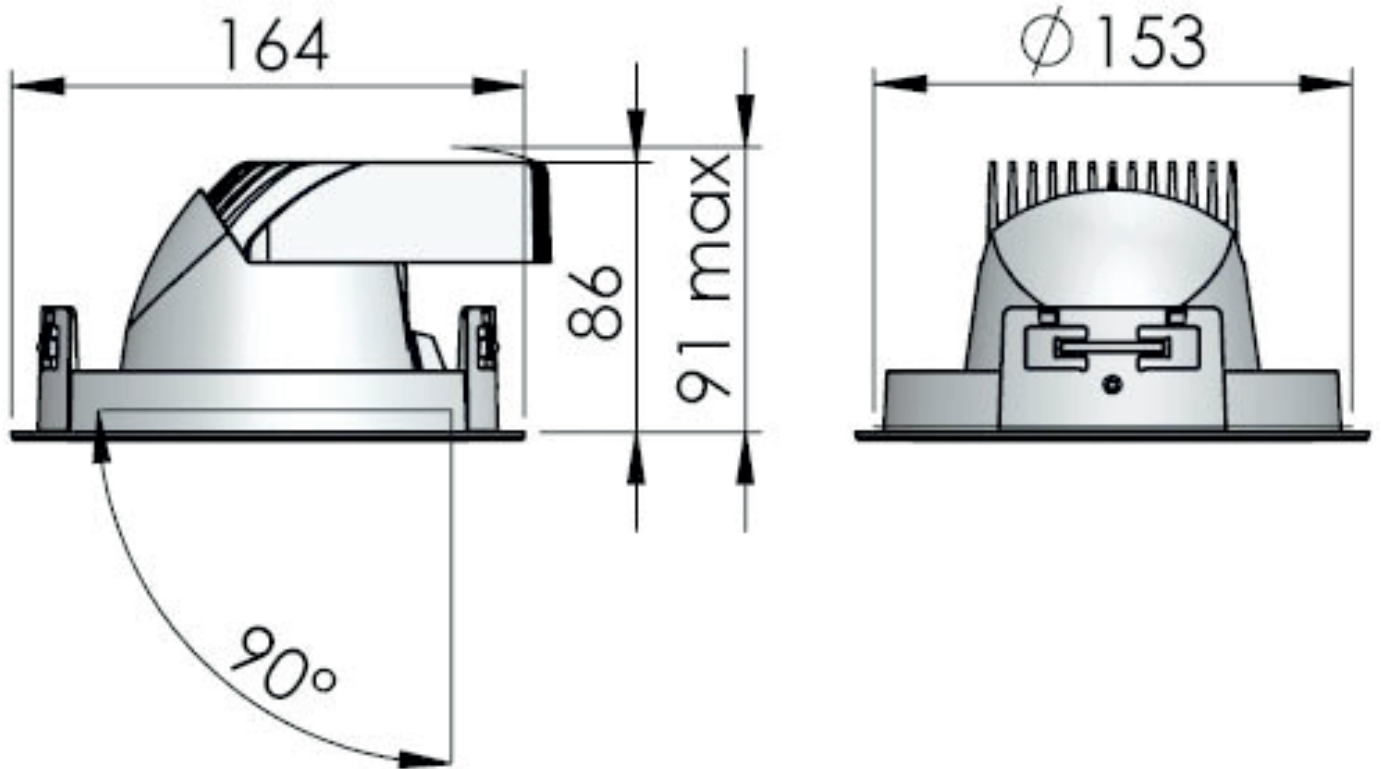
MiniLeanDL



MiniLeanDL

Mini Lean DL is a small and elegant recessed luminaire. It is particularly well suited for accent lighting. The luminaire tilts 90° and turns 355° which enables versatile light planning. In addition to clean design the die-cast aluminium body ensures effective cooling which increases lifetime

Color Rendering: CRI > 90, CRI > 80
 Reflector: COB 1206 : 15 °, 20 °, 30 °, 50 °
 Color options: Black, White, Silver
 Color temperature CCT: 2700K, 3000K, 3500K, 4000K, 5000K
 Cooling: Passive
 Material: Powder painted die-cast aluminium
 Wattage: Up to 33 W (module)
 Lifetime: 50.000 hours
 Installation: Spring mounted, no tools required
 Color consistency: MacAdams 2 SDCM
 Guarantee: 5 years (LED Chip & driver)
 Dimmable: Available upon request
 LED chip: Citizen
 Protection: IP20
 Cut out Ø: 150 mm



Cut out \varnothing : 150 mm