

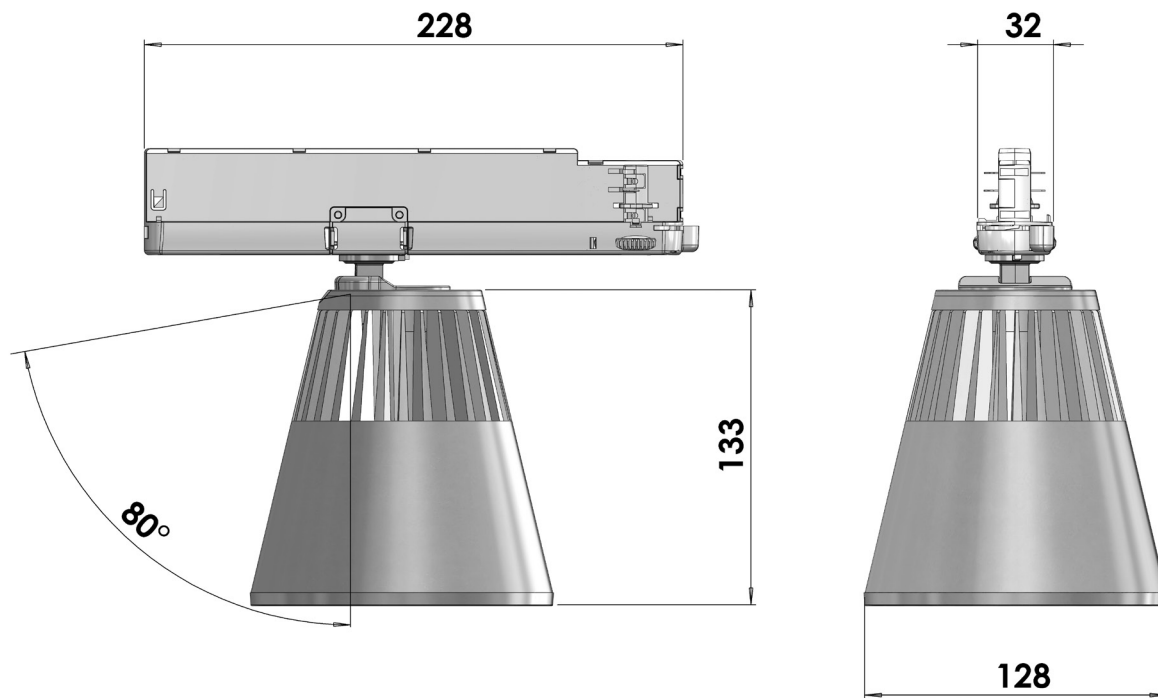
GA016Winner



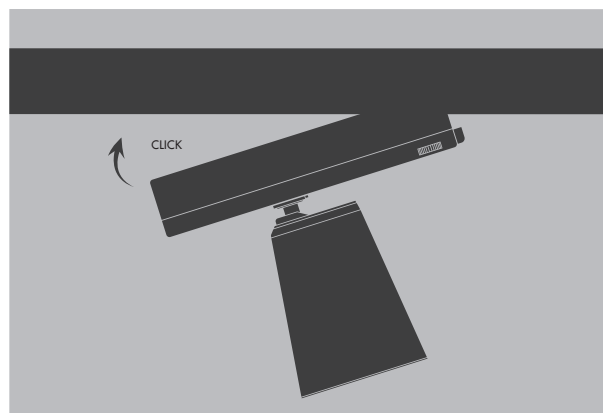
GA016Winner

The age of minimalism is now. With the revolutionary GA16-adapter retail lighting becomes ever more inconspicuous.

Color Rendering: CRI > 90
 Reflector: COB 1206 : 10 °, 24 °, 30 °
 Color options: Black, White
 Color temperature CCT: 2700K, 3000K, 3500K, 4000K
 Cooling: Passive
 Material: Powder painted die-cast aluminium
 Wattage: Up to 31 W (module)
 Luminous flux at 31W:
 3225lm (2700K B.BBL), 3475lm (3000K B.BBL),
 3525lm (3500K B.BBL), 3700lm (4000K)
 Lifetime: 50.000 hours L80B10
 Adapter: GA-016
 Color consistency: MacAdams 2 SDCM
 Guarantee: 5 years (LED Chip & driver)
 Installation: Nordic Aluminium 3-phase track
 LED chip: Citizen
 Protection: IP20
 Dimmable: No
 Accessories: Honeycomb filter, Barndoors (on request)

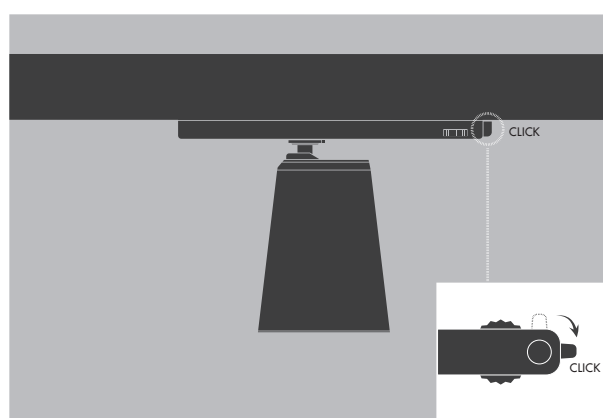


1) Insert adapter into track



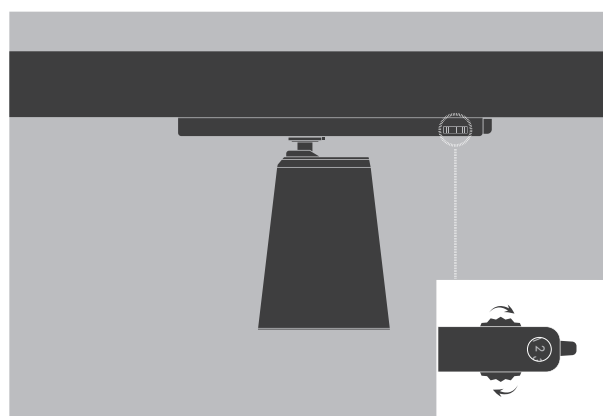
2) Turn the lock as far as it goes

Note: If lock will not move all the way this means you have inserted the spot the wrong direction. Rotate the spot 180 degrees horizontally and try again.



3) Choose phase by turning the small wheel on the side

Note: Distribute spots evenly across the 3 phases to minimize risk of overloading the system.



4) Evaluate - Is the spot adjusted correctly?

Adjustment: The light beam must be carefully directed to illuminate the products with maximum effect.

Check by blocking the light beam with a hand, and then moving the hand again to see the effect of the light and then adjust direction if necessary.

