

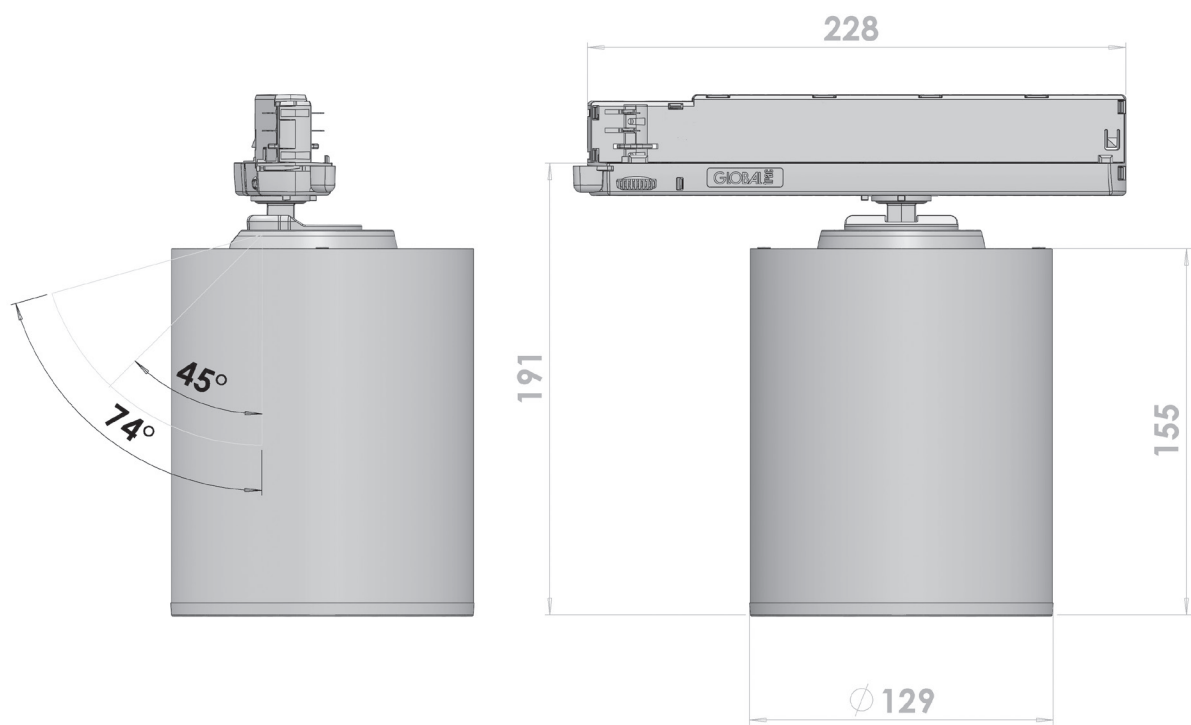
GA016Reform



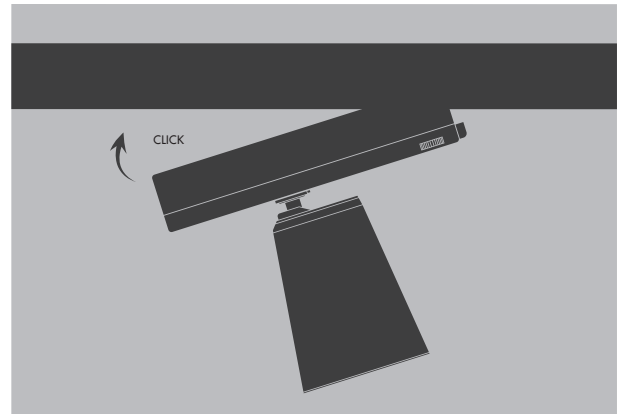
GA016Reform

The age of minimalism is now. With the revolutionary GA16-adapter retail lighting becomes ever more inconspicuous.

Color Rendering: CRI > 90, CRI > 80
Reflector: COB 1206 : 10 °, 24 °, 30 °, 50 ° /
COB 1212 : 20 °, 40 °, 60 °
Color options: Black, White, Silver
Color temperature CCT: 2700K, 3000K, 3500K,
4000K, 5000K
Cooling: Passive
Material: Powder painted die-cast aluminium
Wattage: Up to 29 W (module)
Lifetime: 50.000 hours
Adapter: GA-016
Color consistency: MacAdams 2 SDCM
Guarantee: 5 years (LED Chip & driver)
Installation: Nordic Aluminium 3-phase track
LED chip: Citizen
Protection: IP20
Dimmable: No

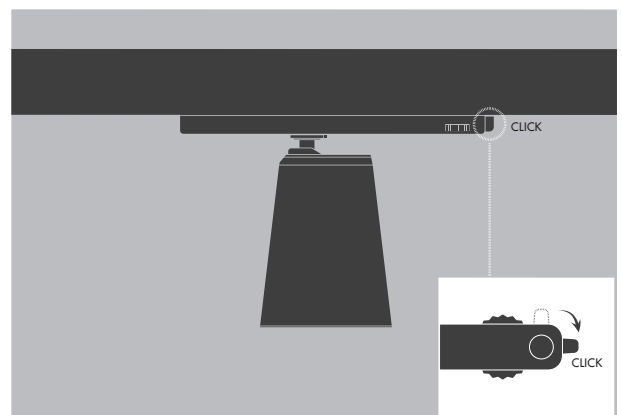


1) Insert adapter into track



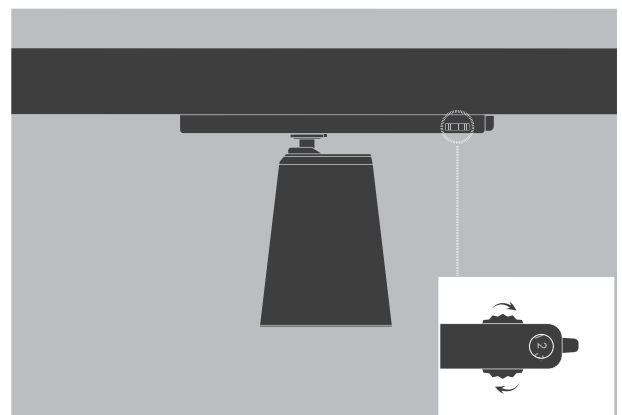
2) Turn the lock as far as it goes

Note: If lock will not move all the way this means you have inserted the spot the wrong direction. Rotate the spot 180 degrees horizontally and try again.



3) Choose phase by turning the small wheel on the side

Note: Distribute spots evenly across the 3 phases to minimize risk of overloading the system.



4) Evaluate - Is the spot adjusted correctly?

Adjustment: The light beam must be carefully directed to illuminate the products with maximum effect.

Check by blocking the light beam with a hand, and then moving the hand again to see the effect of the light and then adjust direction if necessary.

